

LEGEND

- ROOF OUTLINE
- ABLUTION ROOF OUTLINE
- SLAB EDGE
- ===== STEEL STUD WALL AS SPECIFIED
- ▨ 200 SERIES MASONRY WALL @ 2100 HIGH

WINDOW & DOOR SCHEDULE

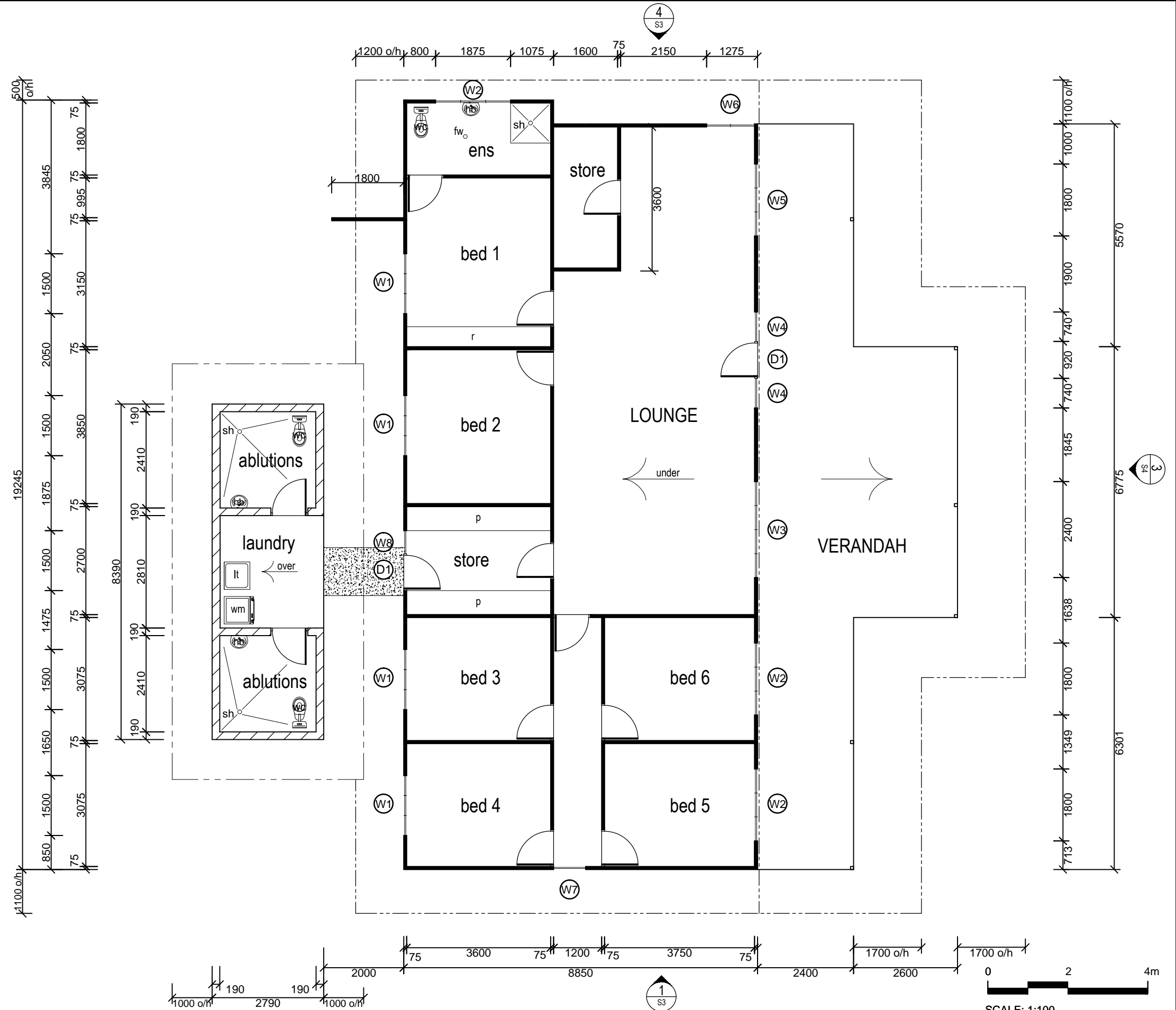
- W1 1500W x 1600D OPERABLE GLASS LOUVRES
- W2 1800W x 1600D OPERABLE GLASS LOUVRES
- W3 2400W x 1600D OPERABLE GLASS LOUVRES
- W4 600W x 2100D OPERABLE GLASS LOUVRES
- W5 600W x 2100D OPERABLE GLASS LOUVRES
- W6 1200W x 1000D OPERABLE GLASS LOUVRES
- W7 800W x 1600D OPERABLE GLASS LOUVRES
- W8 500W x 2100D OPERABLE GLASS LOUVRES
- D1 920W x 2040D PERSONAL ACCESS DOOR

Note:
ALL PERSONAL ACCESS DOORS TO BE 1000 WIDE x 2100 HIGH OPENING IN WALL FRAME w/ PM FRAME & 920 x 2040 TIMBER LEAF

FITTINGS & FIXTURES

- wc toilet
- sh shower
- b bath
- s sink
- r wardrobe
- wm washing machine
- hb hand basin
- db double hand basin
- lt laundry tub
- p pantry
- f fridge
- fw floor waste

Note:
BUILDER TO PROVIDE FLASHING/TRIMS & ENSURE WATERPROOFING IN ACCORDANCE WITH THE BCA



No.	DESCRIPTION	DATE	NAME	DEPT./COMPANY.
-	ISSUE FOR STRUCTURAL APPROVAL	29-03-2017	MC	NTCE
AMENDMENTS				

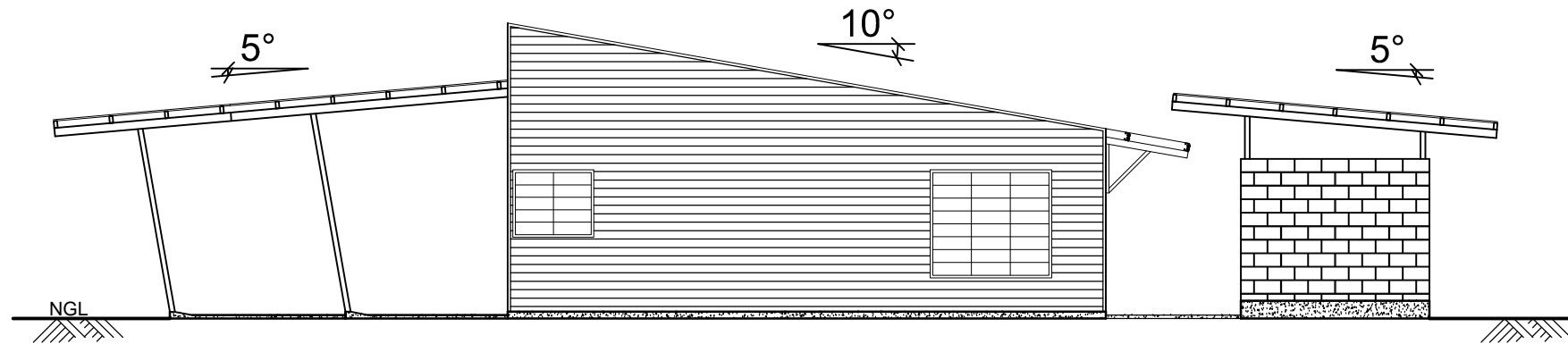
NT Consulting Engineers
 N.T. Consulting Engineers
 ABN 73 102 631 186
 P.O. Box 900
 COOLALINGA 0839
 Northern Territory, Australia
 Mobile: 0427 411 633 Email: ntce@westnet.com.au

DRAWN OATS DATE 23-03-2017	CHECKED MC DATE 23-03-2017
DESIGNED MC DATE 23-03-2017	CHECKED DATE 23-03-2017
STRUCTURALLY CONSIDERED S.LAWLER DATE 23-03-2017	PROJECT OFFICER D.HOBBS DATE 23-03-2017

hobbs
 REMOTE AREA BUILDERS

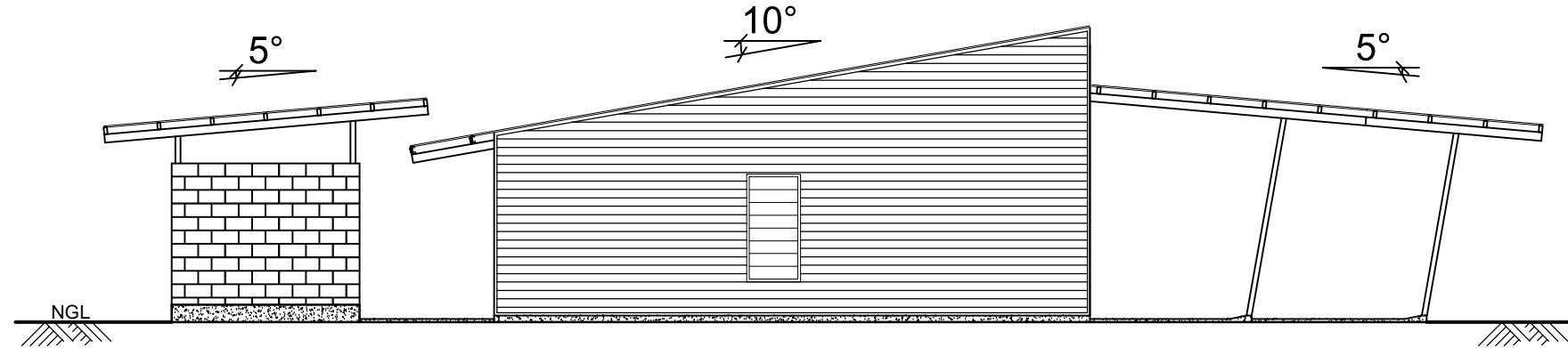
PROPOSED DWELLING D.T. HOBBS via MUDGINBERRI GROUND FLOOR PLAN				
FILE No.	ASSET No.	SHEET No.	DRAWING No.	AMEND.
-	-	2 of 10	U541039-S2	-
			SHEET SIZE	A3

- +4270 DWELLING RIDGE
- +3430 VERANDAH RIDGE
- +2100 LINTEL
- ±0.00 FFL
- -100 NGL



ELEVATION 4
SCALE 1:100

- +4270 DWELLING RIDGE
- +2720 TOP of COL
- +2320 TOP of WALL
- +220 ABLUTIONS FFL
- -100 NGL



ELEVATION 1
SCALE 1:100

-	ISSUE FOR STRUCTURAL APPROVAL	29-03-2017	MC	NTCE
No.	DESCRIPTION	DATE	NAME	DEPT./COMPANY.
	AMENDMENTS			



Mobile: 0427 411 633 Email: ntce@westnet.com.au

N.T. Consulting Engineers
ABN 73 102 631 186
P.O. Box 900
COOLALINGA 0839
Northern Territory, Australia

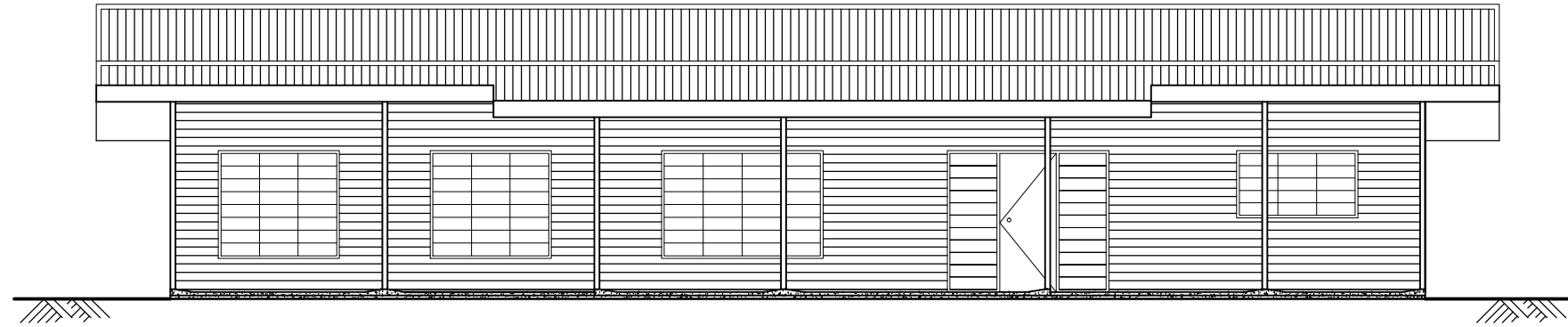
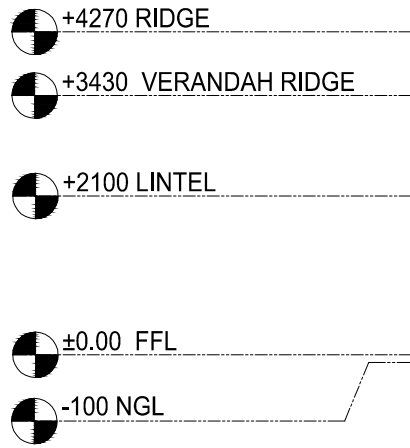
STRUCTURALLY CONCURRED
21/3/2017

DRAWN OATS	CHECKED MC
DATE 23-03-2017	DATE 23-03-2017
DESIGNED MC	CHECKED
DATE 23-03-2017	DATE 23-03-2017
DESIGN PROJECT LEADER S.LAWLER	PROJECT OFFICER D.HOBBS
DATE 23-03-2017	DATE 23-03-2017

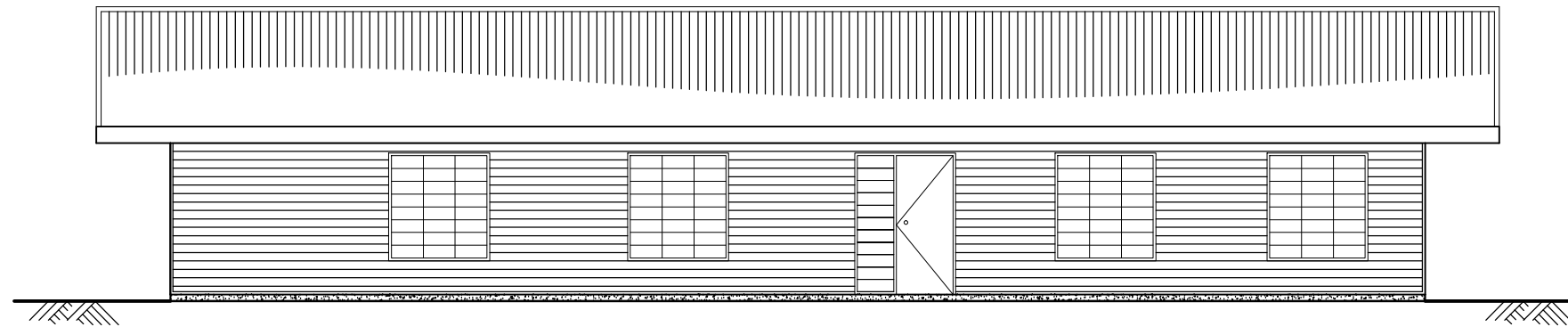
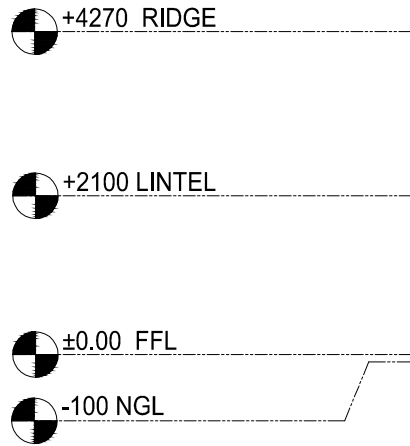


PROPOSED DWELLING
D.T. HOBBS
via MUDGINBERRI
ELEVATIONS 1 & 4

FILE No.	ASSET No.	SHEET No.	DRAWING No.	AMEND.	SHEET SIZE
-	-	3 of 10	U541039-S3	-	A3



ELEVATION 3
SCALE 1:100



ELEVATION 2
SCALE 1:100

Note:
Ablution block omitted for clarity

-		ISSUE FOR STRUCTURAL APPROVAL	23-03-2017	MC	NTCE		N.T. Consulting Engineers ABN 73 102 631 186 P.O. Box 900 COOLALINGA 0839 Northern Territory, Australia	DRAWN OATS DATE 23-03-2017	CHECKED MC DATE 23-03-2017		PROPOSED DWELLING D.T. HOBBS via MUDGINBERRI ELEVATIONS 2 & 3	FILE No.	ASSET No.	SHEET No.	DRAWING No.	AMEND.	SHEET SIZE
No.	DESCRIPTION	DATE	NAME	DEPT./COMPANY.	AMENDMENTS			STRUCTURALLY CONCIURED	DESIGN PROJECT LEADER			PROJECT OFFICER	-	-	4 of 10	U541039-S4	-

Mobile: 0427 411 633 Email: ntce@westnet.com.au

STRUCTURALLY CONCIURED
21/3/2017

DESIGN PROJECT LEADER
S.LAWLER
DATE 23-03-2017

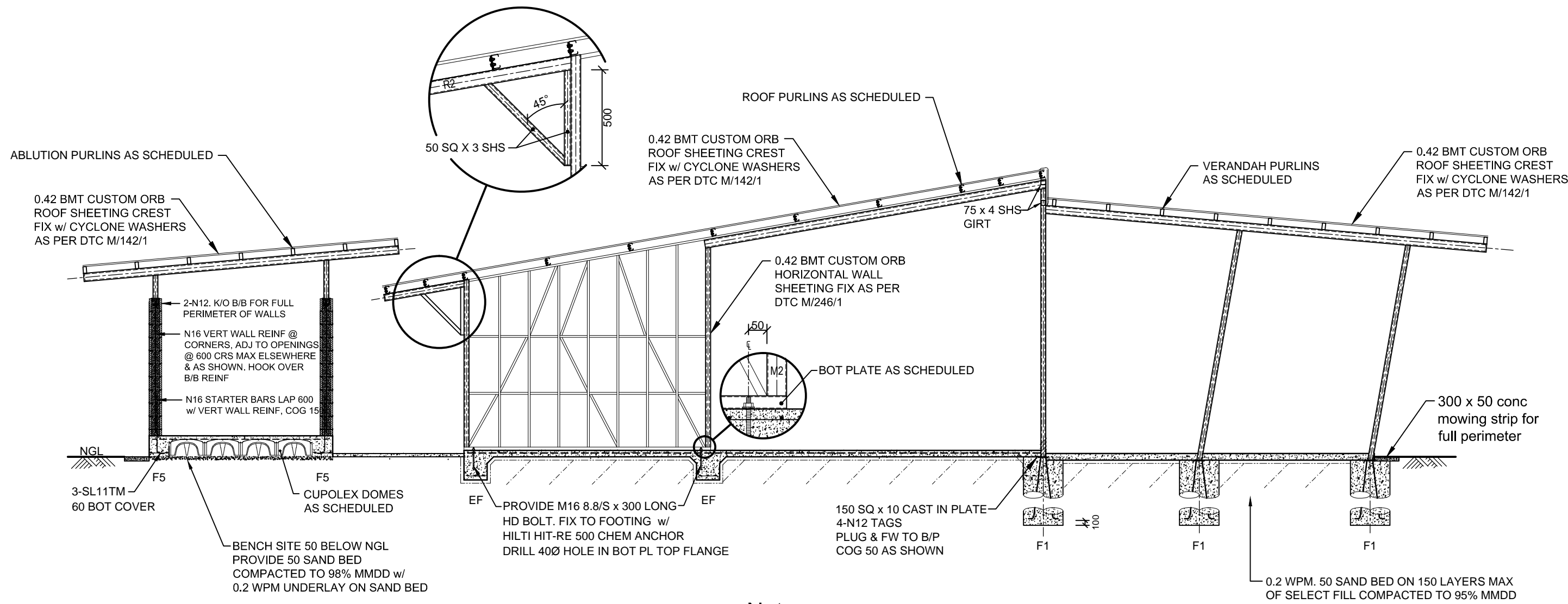
PROJECT OFFICER
D.HOBBS
DATE 23-03-2017

REMOTE AREA BUILDERS

DRAWING No. U541039-S4

SHEET SIZE A3

Note:
 BUILDER TO PROVIDE FLASHING/TRIMS &
 ENSURE WATERPROOFING IN ACCORDANCE
 WITH THE BCA



Note:
 Existing Footing under wall omitted for clarity

GENERAL ARRANGEMENT
SECTION A
 SCALE: 1:125
 TYPICAL

-	ISSUE FOR STRUCTURAL APPROVAL	23-03-2017	MC	NTCE
No.	DESCRIPTION	DATE	NAME	DEPT./COMPANY.
	AMENDMENTS			

NT Consulting Engineers
 N.T. Consulting Engineers
 ABN 73 102 631 186
 P.O. Box 900
 COOLALINGA 0839
 Northern Territory, Australia

Mobile: 0427 411 633 Email: ntce@westnet.com.au

DRAWN OATS DATE 23-03-2017	CHECKED MC DATE 23-03-2017
DESIGNED MC DATE 23-03-2017	CHECKED
DESIGN PROJECT LEADER S.LAWLER DATE 23-03-2017	PROJECT OFFICER D.HOBBS DATE 23-03-2017

hobbs
 REMOTE AREA BUILDERS

PROPOSED DWELLING D.T. HOBBS via MUDGINBERRI SECTION A					
FILE No. -	ASSET No. -	SHEET No. 7 of 10	DRAWING No. U541039-S7	AMEND. -	SHEET SIZE A3